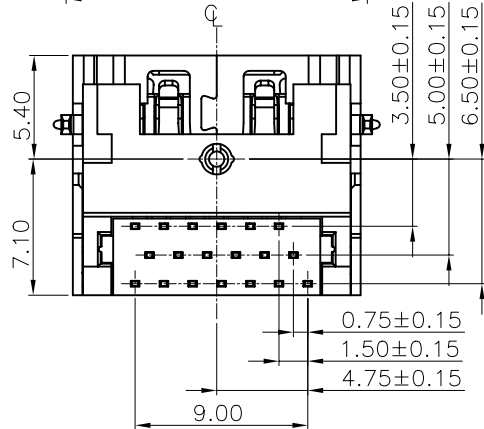
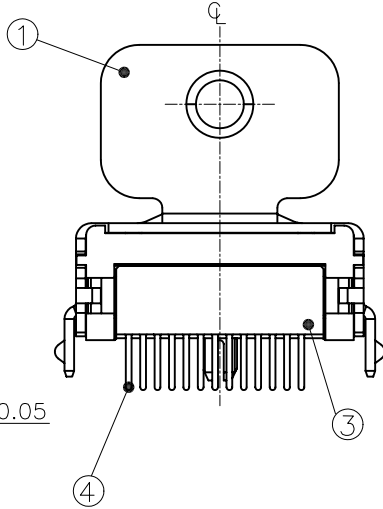
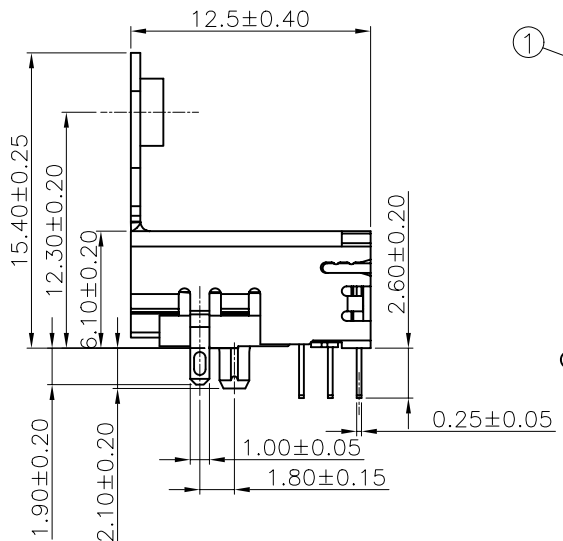
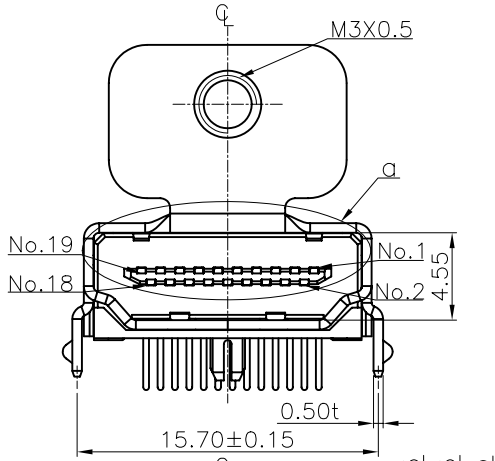
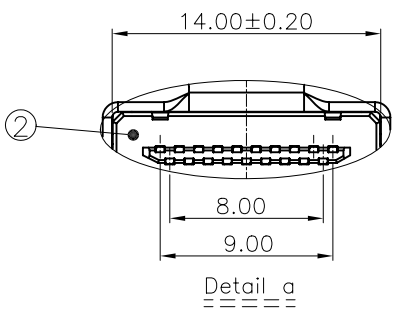
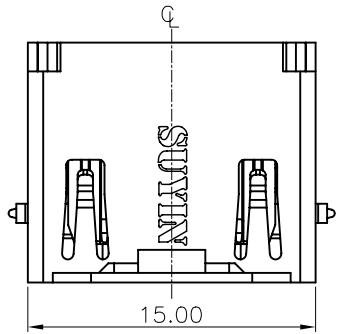




RoHS Compliant
2002/95/EC



NOTES:
100042MR019G□12ZA
1
1.Plating
G2- gold flash over nickel
G4-15u" gold over nickel.
G5-30u" gold over nickel.

NO.	DESCRIPTION	MATERIAL	COLOR	REMARK
4	Terminal	Copper Alloy		Gold Plated Over Ni
3	Cover	High Temp.	Black	UL 94V-0
2	Housing	High Temp.	Black	UL 94V-0
1	Shell	Metal		Ni Plated

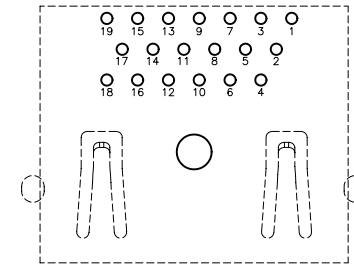
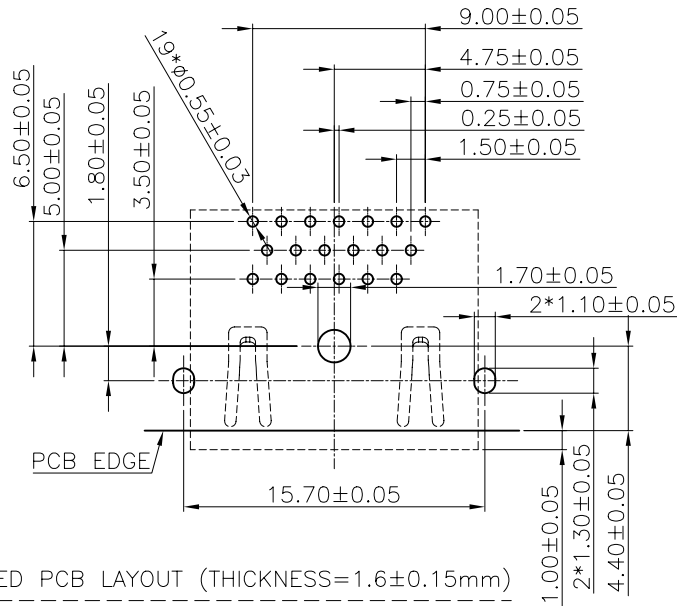
SUYIN
CONNECTOR

ECN(DCN) NO.	REV	DATE	DESCRIPTION	CHANGE	APPRO.	GENERAL TOLERANCE UNLESS OTHERWISE NOTED	APPRO.	DATE
	0		NEW RELEASE	李楠童俐	Angle 30 ~ ±0.50	±2° ±0.50	DRAW	李楠 06'/11/30
DCB-061113-08	PA	06'/11/13	PA1:電度SX->GX;	李楠童俐	10 ~ 30 ±0.30	±0.30	DESIGN	李楠 06'/11/30
	P0	06'/08/28	NEW	李楠童俐	~ 10 ±0.15	±0.15	CHECK	鄭冰雨 06'/11/30
							APPRO.	童俐 06'/11/30

CUSTOMER COPY	TITLE:	HDMI Right Angle Through Houle Type Female Conn. With Flange
PART NO.	100042MR019GX12ZA	
PRODUCT SPEC.	100042MX019XXXXZX	
FILE NAME.	DWG	100042MR019GX12ZA-C
SCALE	2.5:1	UNIT:mm A4 SHEET: 1 of 3

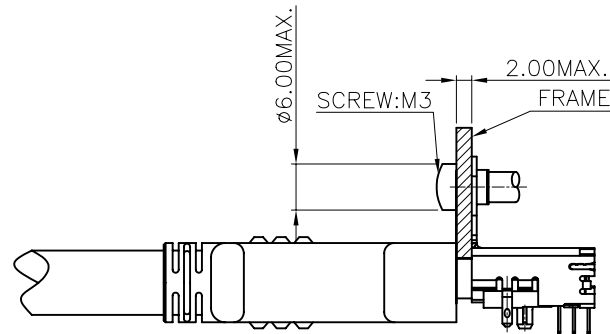


RoHS Compliant
2002/95/EC



PIN ASSIGNMENT

RECOMMENDED PCB LAYOUT (THICKNESS=1.6±0.15mm)



SCALE 1:1

REFERENCE MOUNT DIMENSION

4	Terminal	Copper Alloy	——	Gold Plated Over Ni
3	Cover	High Temp.	Black	UL 94V-0
2	Housing	High Temp.	Black	UL 94V-0
1	Shell	Metal	——	Ni Plated
NO.	DESCRIPTION	MATERIAL	COLOR	REMARK

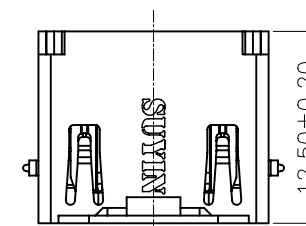
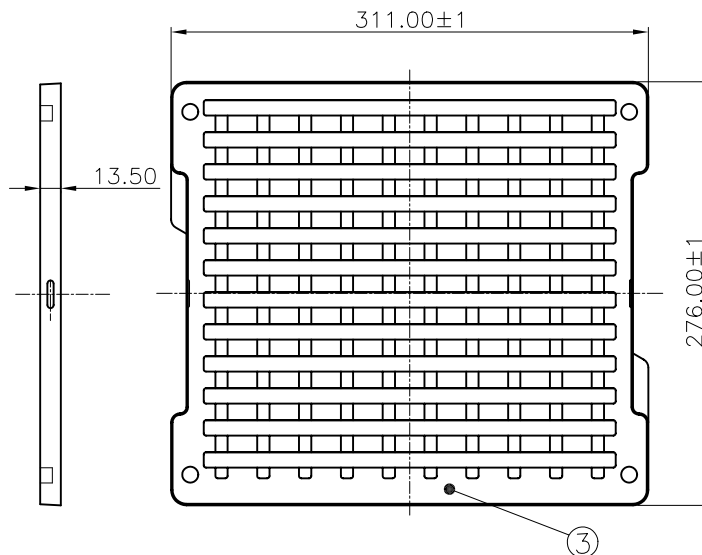
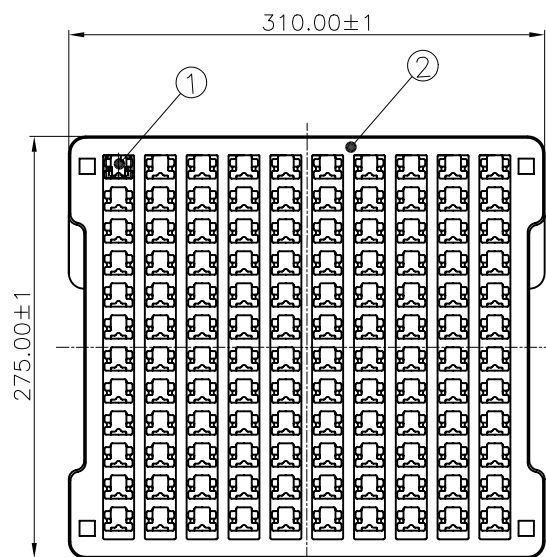
SUYIN
CONNECTOR

CUSTOMER COPY	TITLE:	HDMI Right Angle Through Hole Type Female Conn. With Flange		
PART NO.		100042MR019GX12ZA		
PRODUCT SPEC.		100042MX019XXXXZX		
FILE NAME.	DWG	100042MR019GX12ZA-C		
SCALE	2.5:1	UNIT:mm	A4	SHEET: 2 of 3

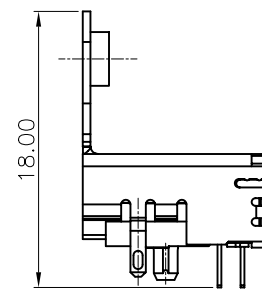
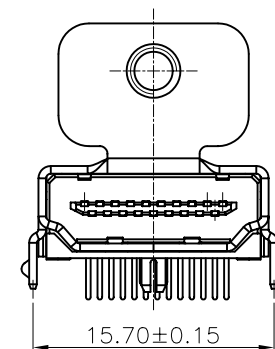
				Angle	±2°	DRAW	李楠	06'/11/30
	0		NEW RELEASE	李楠童俐	30 ~ ±0.50	DESIGN	李楠	06'/11/30
DCB-061113-08	PA	06'/11/13	PA1:電度SX->GX;	李楠童俐	10 ~ 30 ±0.30	CHECK	鄭冰雨	06'/11/30
	P0	06'/08/28	NEW	李楠童俐	~ 10 ±0.15	APPRO.	童俐	06'/11/30
ECN(DCN) NO.	REV	DATE	DESCRIPTION	CHANGE	APPRO.	GENERAL TOLERANCE UNLESS OTHERWISE NOTED	APPRO.	DATE



RoHS Compliant
2002/95/EC



21.00



SACLE 2:1

1 Package Information

Product Number	Q'ty per tray
100042MR019GX12ZA	120 pcs

NOTE:1.All dimensions tolerance are:
±0.30mm unless otherwise specified.
2.Tray(Bottom):T=0.60mm
Tray(Top):T=0.60mm

3	Tray(Top)	PVC	Trans	——
2	Tray(Bottom)	PVC	Trans	——
1	Product	——	——	100042MR019GX12ZA
NO.	DESCRIPTION	MATERIAL	COLOR	REMARK

SUYIN
CONNECTOR

CUSTOMER COPY	TITLE:	HDMI Right Angle Through Houle Type Female Conn. With Flange		
PART NO.		100042MR019GX12ZA		
PRODUCT SPEC.		100042MX019XXXXZX		
FILE NAME.	DWG	100042MR019GX12ZA-C		
SCALE	1:5	UNIT:mm	A4	SHEET: 3 of 3

					Angle	±2°	DRAW	李楠	06'/11/30
	0		NEW RELEASE	李楠童俐	30 ~	±0.50	DESIGN	李楠	06'/11/30
DCB-061113-08	PA	06'/11/13	PA1:電度SX->GX;	李楠童俐	10 ~ 30	±0.30	CHECK	鄭冰雨	06'/11/30
	P0	06'/08/28	NEW	李楠童俐	~ 10	±0.15	APPRO.	童俐	06'/11/30
ECN(DCN) NO.	REV	DATE	DESCRIPTION	CHANGE	APPRO.	GENERAL TOLERANCE UNLESS OTHERWISE NOTED	APPRO.		